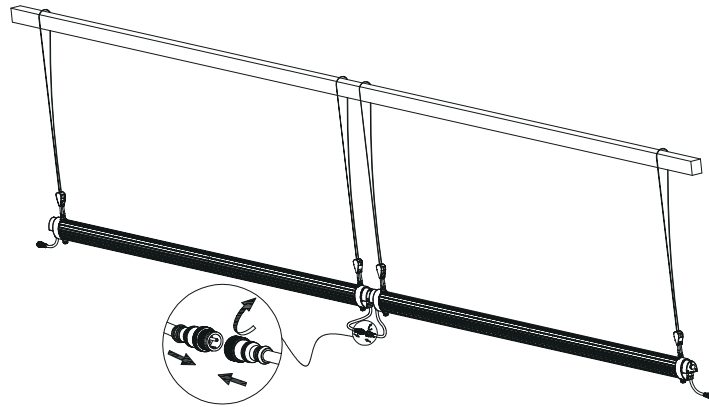
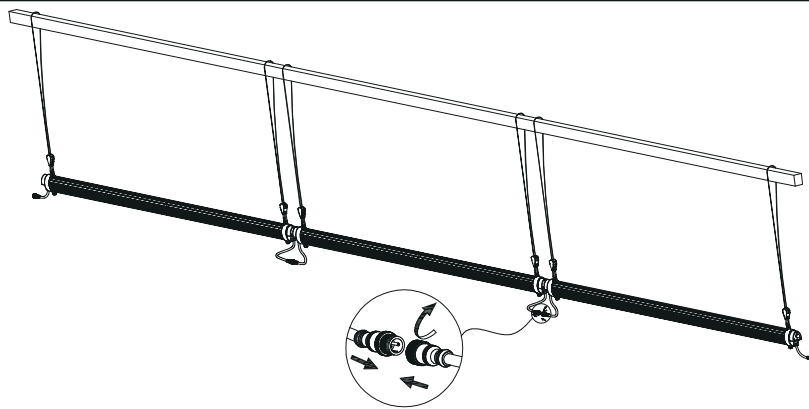


**Step. 1**



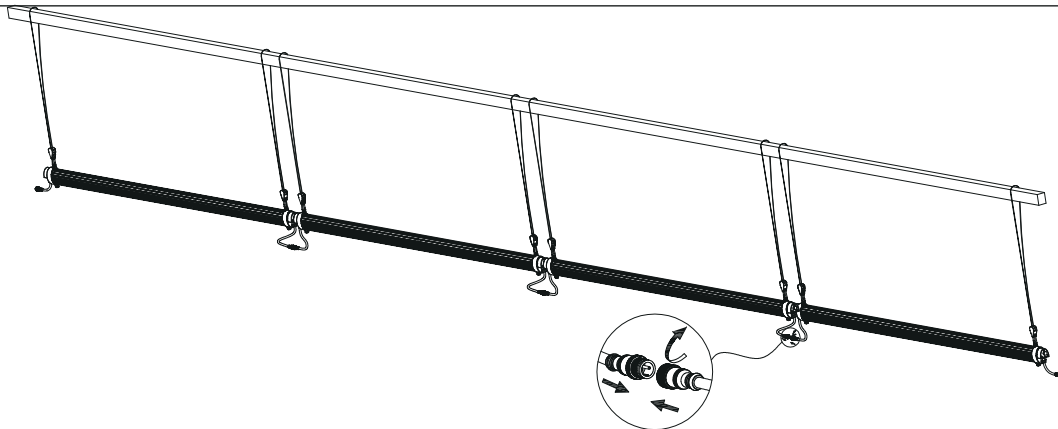
Connect the first inter-light female connector to second inter-light male connector. And twist the cap.

**Step. 2**



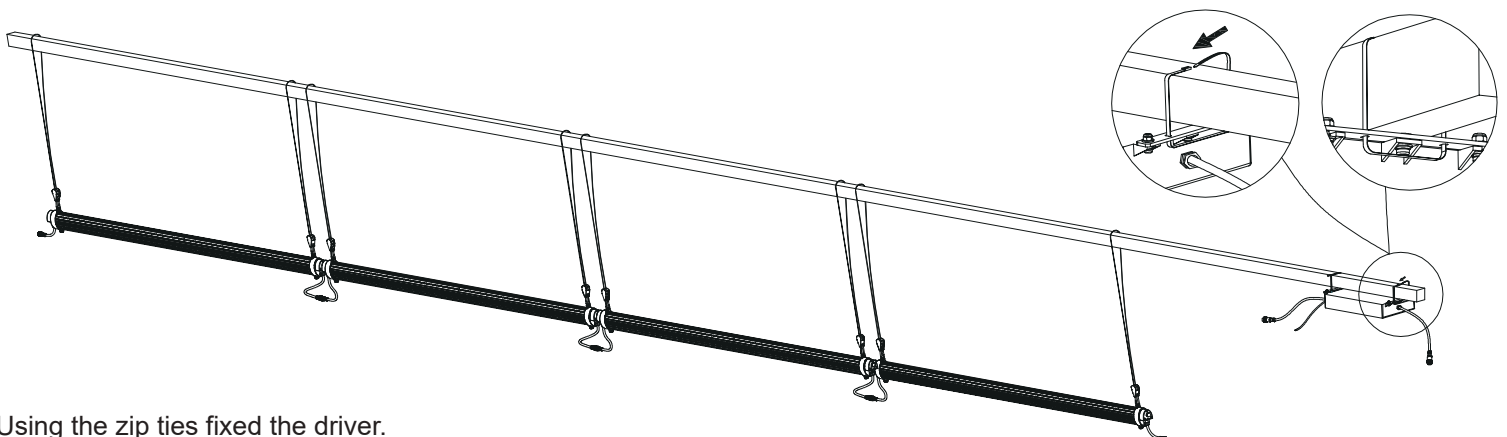
Connect the second inter-light female connector to third inter-light male connector. And twist the cap.

**Step. 3**



Connect the third inter-light female connector to fourth inter-light male connector. And twist the cap.

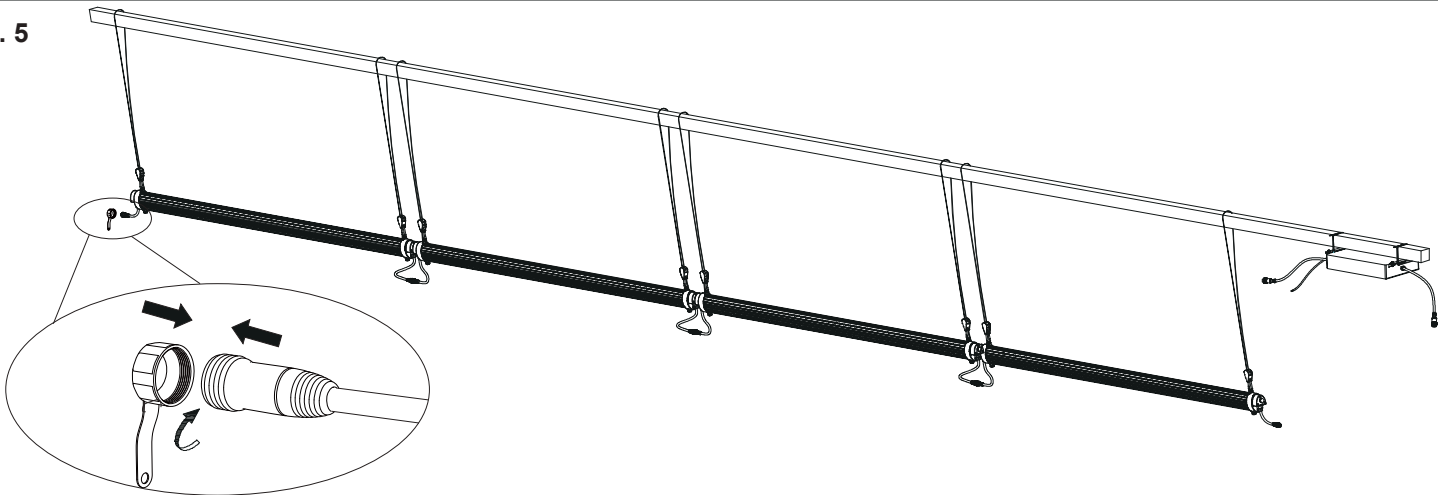
**Step. 4**



Using the zip ties fixed the driver.

# Installation Instructions

## Step. 5






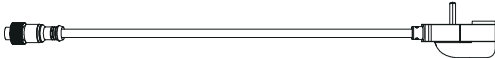


Twist the end-cap on the fourth inter-light female connector.

## Step. 6



Using jumper cable to connect the driver and the first inter-light male connector.  
**ENSURE THAT COMPLETED THE CONNECTION OF FOUR (4) INTER-LIGHTS BEFORE POWER ON.**

## Package Contents

Part	Description	Quantity	Part	Description	Quantity
1	 INTER-LIGHT PLUS	4	4	 3 METER JUMPER CABLE	1
2	 DRIVER	1	5	 POWER CABLE	1
3	 ZIP TIE	2	6	 ADJUSTABLE ROPE	8