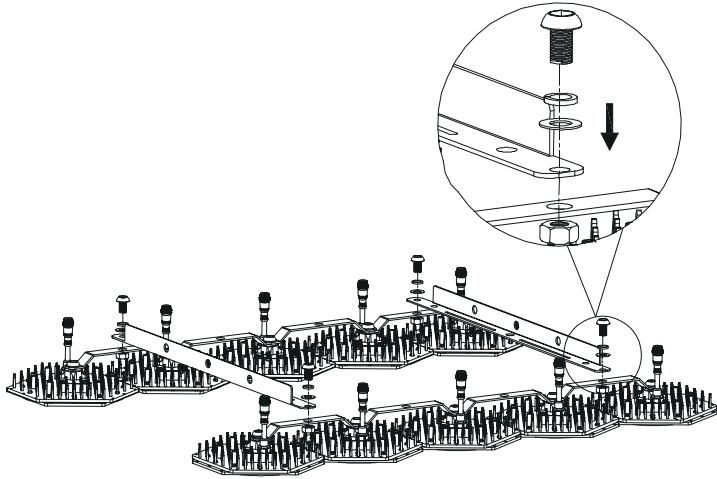
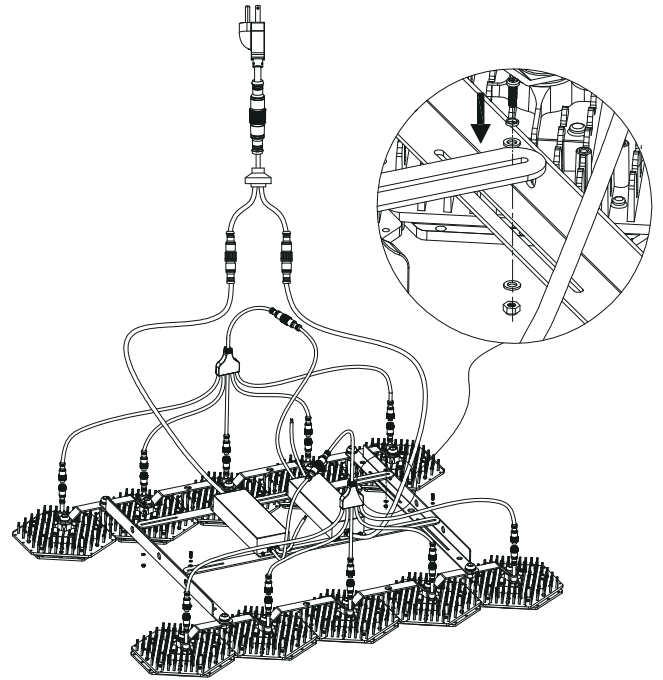


**Step. 1**



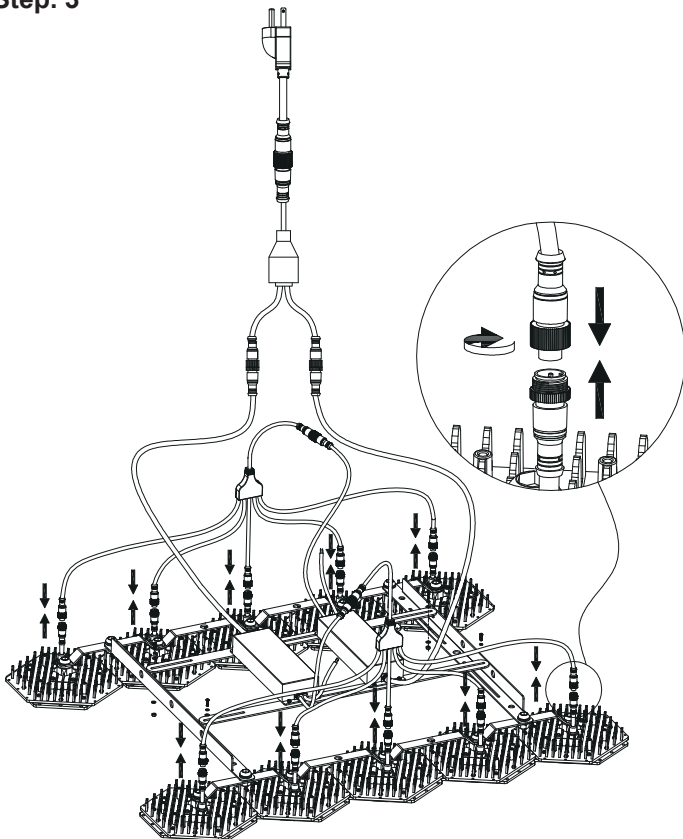
Using M8 Screw and Nut fixed the mounting bracket.

**Step. 2**



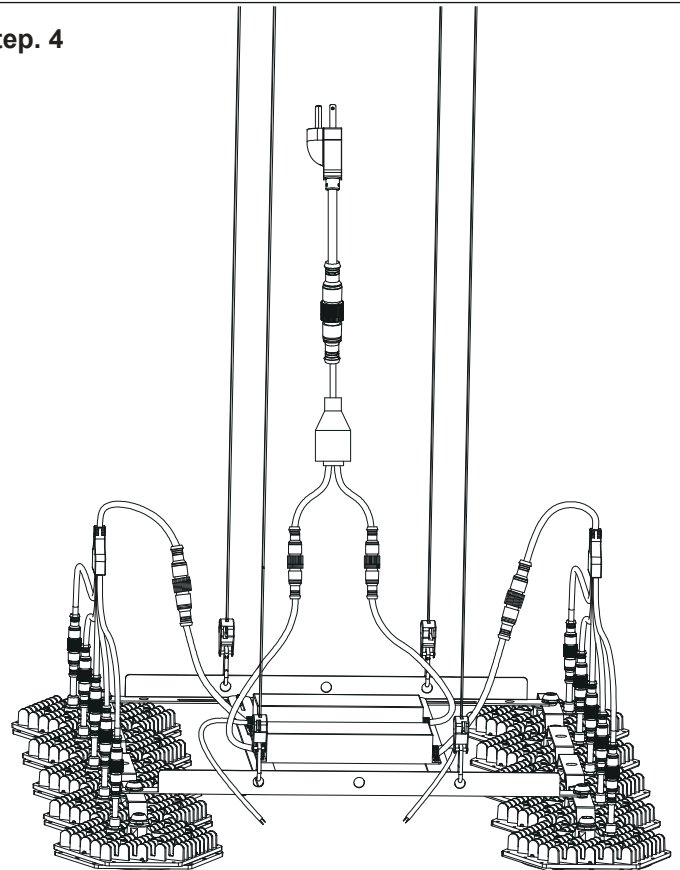
Fixed the External Driver on the mounting bracket (M4 Screw and Nut).

**Step. 3**



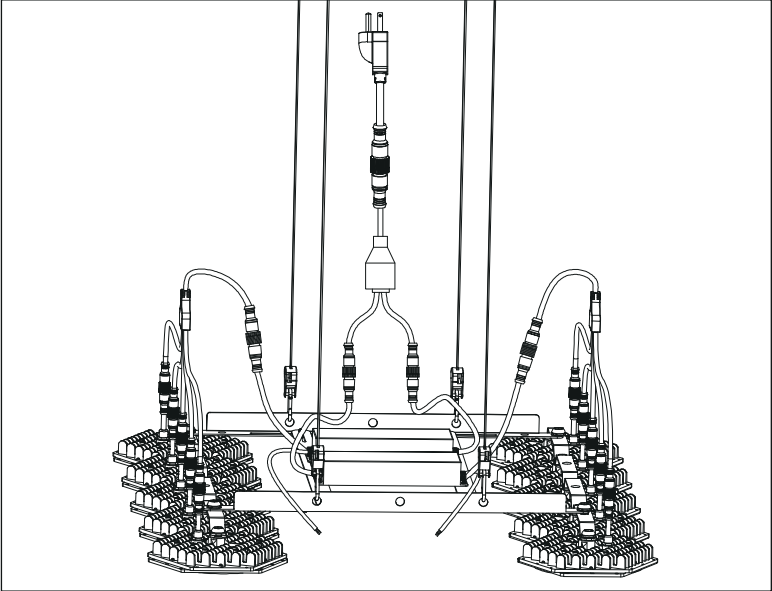
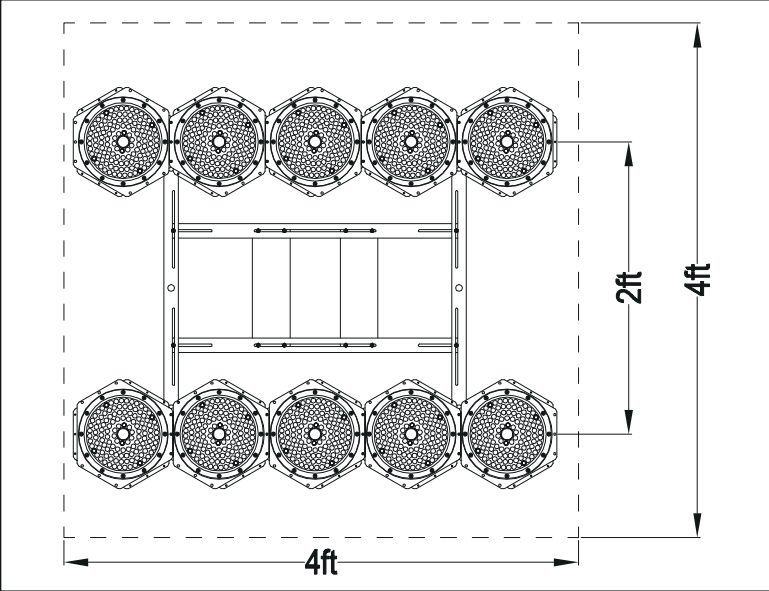
Connect 1 out 5 cable to each Sundisk module.

**Step. 4**




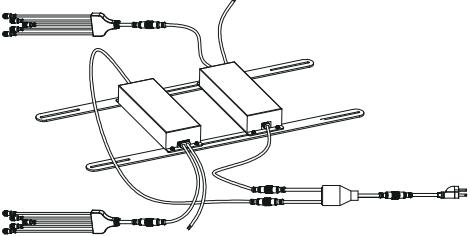
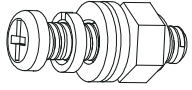



Plug and play.

# Installation Instructions



## Package Contents

Part	Description	Quantity
1	 Sundisk Bar	2
2	 Mounting Bracket	2
3	 M8 Screw and Nut	4
4	 External Driver	1
5	 M4 Screw and Nut	4
6	 Hexagon Wrench	1